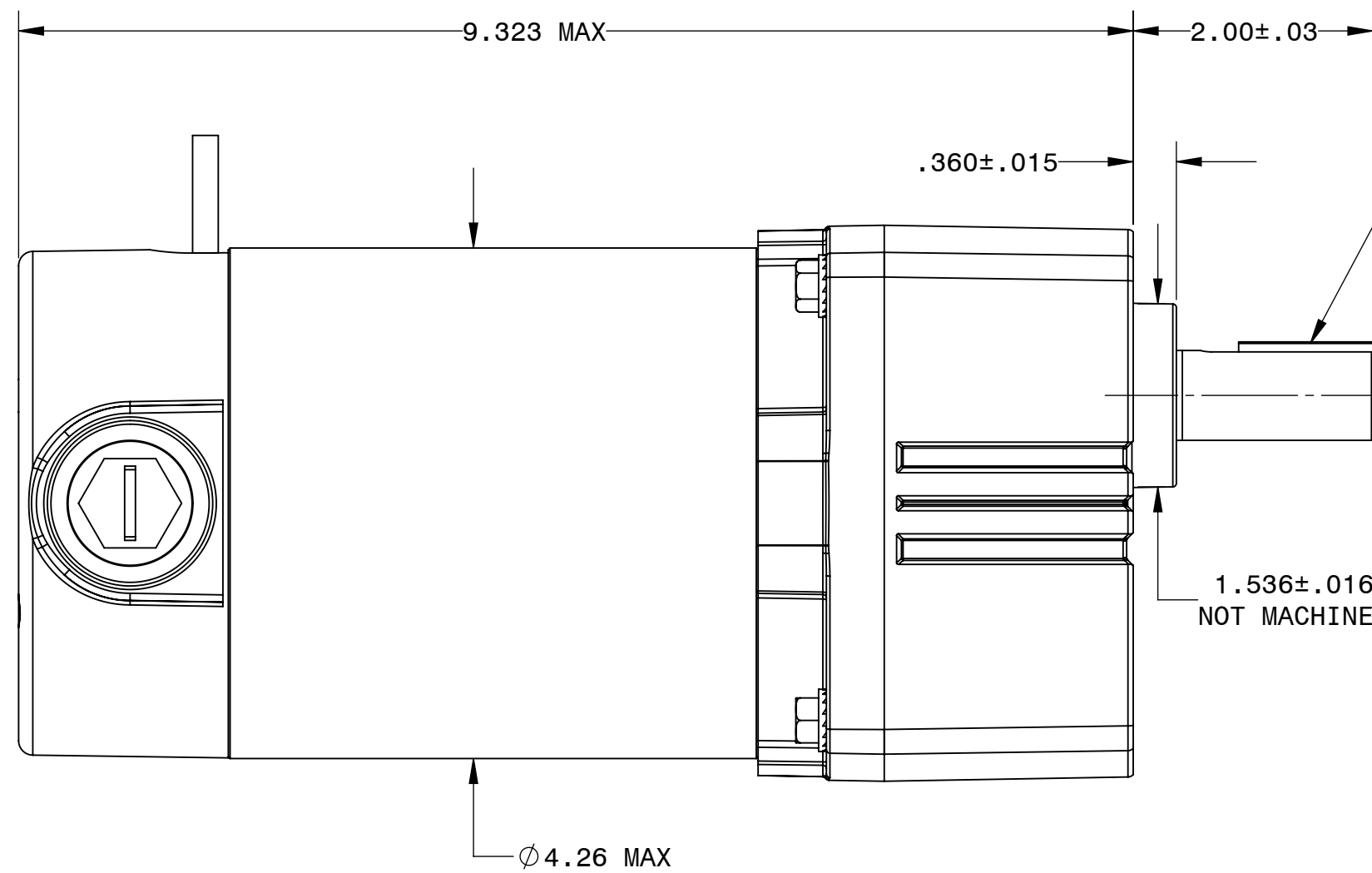
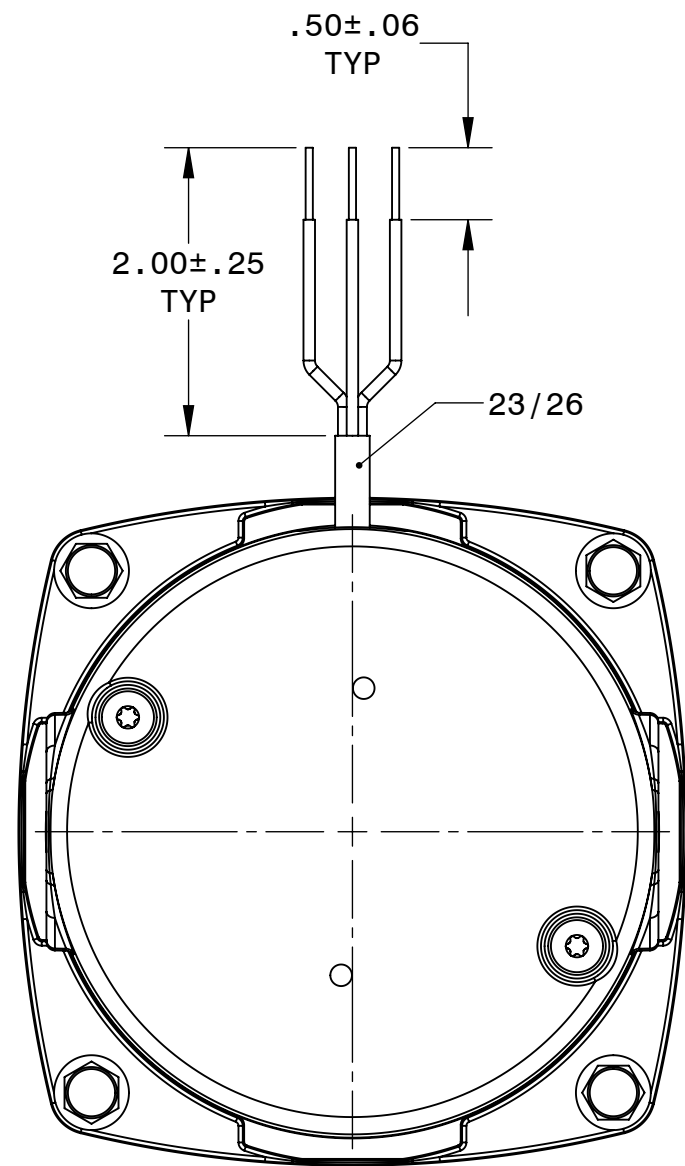




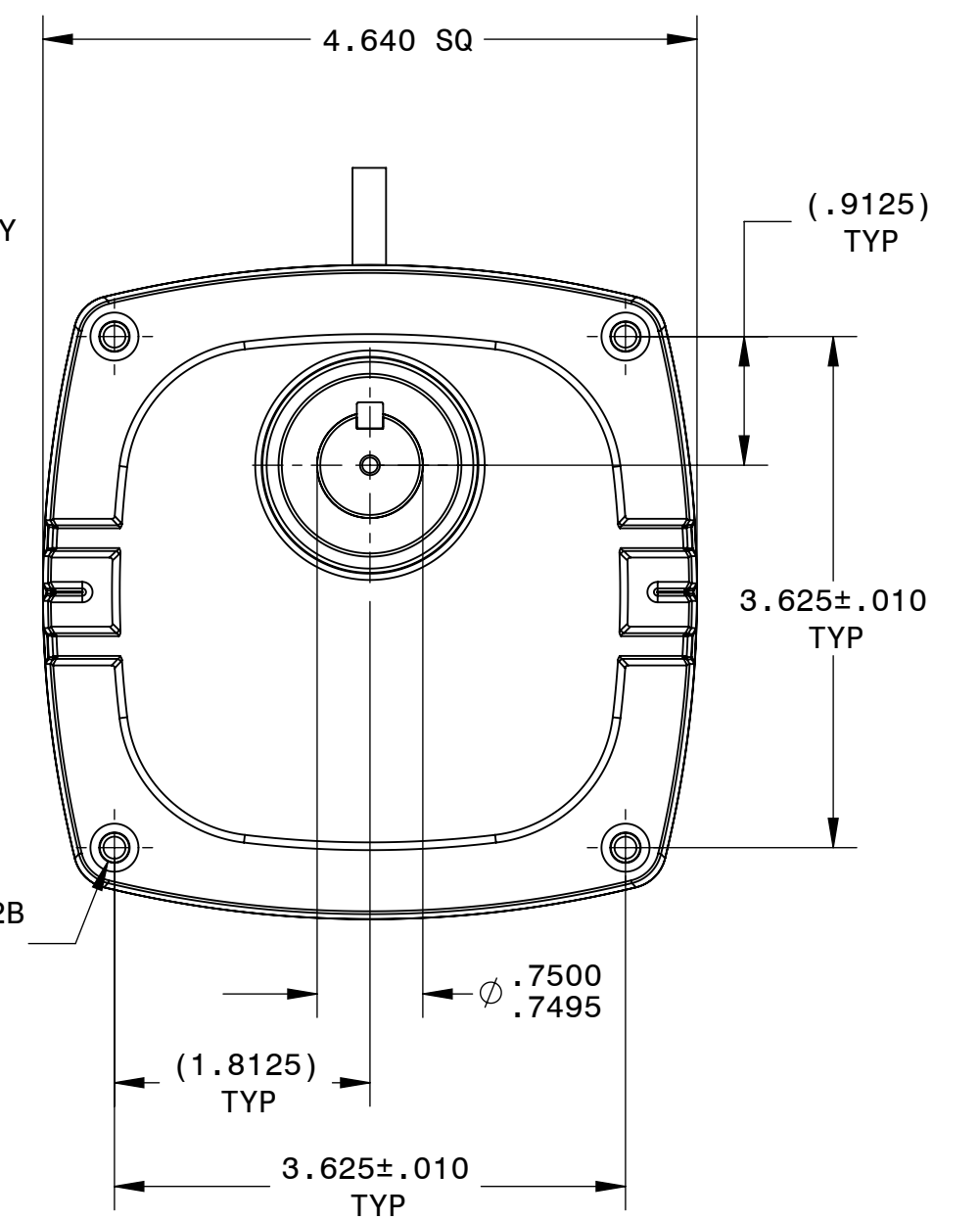
DESCRIPTION:  
GEARMOTOR 42A5BEPM-FX

SHEET: 1/1  
SCALE: 3:4  
C  
UNLESS OTHERWISE SPECIFIED:  
UNITS ARE IN INCHES [mm]  
TOLERANCES: .XX:±.01 .XXX:±.005  
ANGLES: X°:±3° X.X°:±0.5°



$.1875 / .1855$  SQ  
X  $1.12$  LONG KEY

[4]  $1/4$ -28 UNF-2B  
 $.50$  MIN



REPRESENTATIVE OF MODEL NUMBER(S) :

- 5040 5041 5042 5043 5044 5045 5046 5047 5048 5049 5067 5068 5069  
1501 1502 1503 1504 1505 1506 1507 1508 1509 1510  
5140 5141 5142 5143 5144 5145 5146 5147 5148 5149

